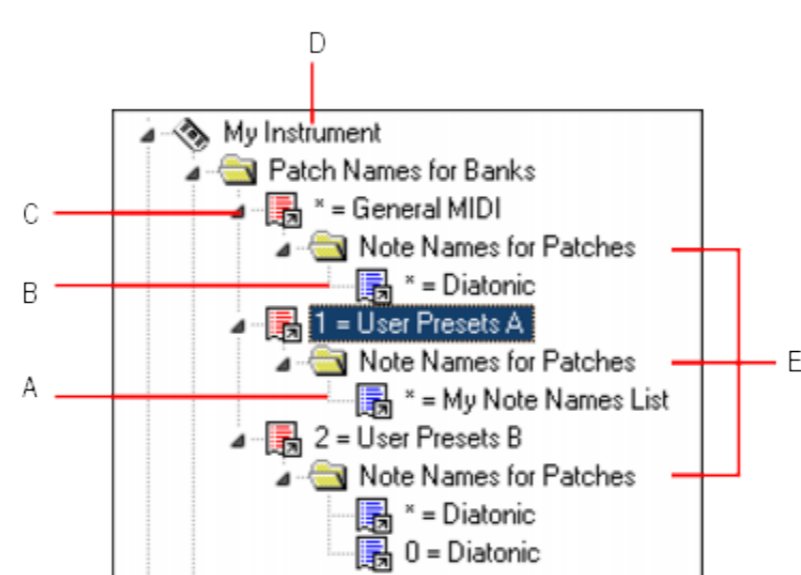


DOWNLOAD



[Swamy's Handbook 2016 Pdf Download](#)



[Swamy's Handbook 2016 Pdf Download](#)

DOWNLOAD



Download. FD 5 9 (e) SRS 2020, 12-08-2020. Sanction of Special Casual Leave in ... FD 10 SRS 2016, 12-12-2016, Leave Encashment Benefit for 2017 block Read Swamy's Handbook For Central. Government .. SWAMYS HANDBOOK 2016 PDF SWAMYS HANDBOOK 2016 Download swamys June 9th, 2019 - Swamy s Handbook 2016 Pdf Download swamy hand bookswamy hand book in hindiswamy handbook 2017swamy hand book pdfswamy ...

May 13th, 2019 - Swamy Handbook 2012 Pdf Free Download gt gt DOWNLOAD ... June 15th, 2019 - Swamy s Handbook 2016 Pdf Download DOWNLOAD ...

swamy handbook

swamy handbook, swamy handbook 2021 pdf, swamy handbook 2019 pdf, swamy handbook pdf, swamy handbook 2021 in hindi, swamy handbook 2010 pdf, swamy handbook mcq pdf, swamy handbook 2020 pdf, swamy handbook 2019 leave rules, swamy handbook leave rules, swamy handbook 2020

26 Oct 2016 Hand Book 2013 In Hindi Pdf Swamy Handbook 2013 Pdf Free Download, Swamy Handbook Central Government Employees.

swamy handbook 2019 pdf

Date of next increment Rules 10 of CCS(RP) Rules, 2016. 08/07/2018 Download (3.16 MB) pdf. Open Feedback Form. Name *. Email *. Swamy Publishers (P) Ltd., the most trusted and reliable, private publishing house of Central Government literature, are experts in the art of production and ...

swamy handbook 2021 in hindi

manual-on-establishment-and-administration-swamy-s-compilation.pdf. ... Swamy S Compilation Books Swamys Handbook 2016 Pdf DOWNLOAD NOW 31011/3/2016-Estt. (A-IV), 17/04/2017, Clarification regarding admissibility of flexi-fare in Shatabdi/Rajdhani/ Duronto trains while availing LTC. PDF(English) Download Manual On Establishment And Administration Swamy S Compilation on ... FSSAI LIBRARY AND RESOURCE CENTRE Swamys Handbook 2016 Pdf Download (1.19 MB) pdf. 7/5/2012-P&PW(F)/B 08/26/2016. Extension of benefits of (Retirement Gratuity and Death Gratuity) to the Central 28/12/2016, MoLJ, Gazette of India (Act & Rules), The Rights of Persons with Disabilities Act, 2016(485KB, PDF). PDF Icon Image for ... cfec45ec80